

TERRACES OF WESTLAKE - PHASE I

BEING A REPLAT OF A PORTION OF TRACT "A", WESTLAKE POD I AND POD J, PLAT BOOK 130, PAGES 153 AND 154, PUBLIC RECORDS OF PALM BEACH COUNTY, FLORIDA, LYING IN SECTION 12, TOWNSHIP 43 SOUTH, RANGE 40 EAST, CITY OF WESTLAKE, PALM BEACH COUNTY, FLORIDA.

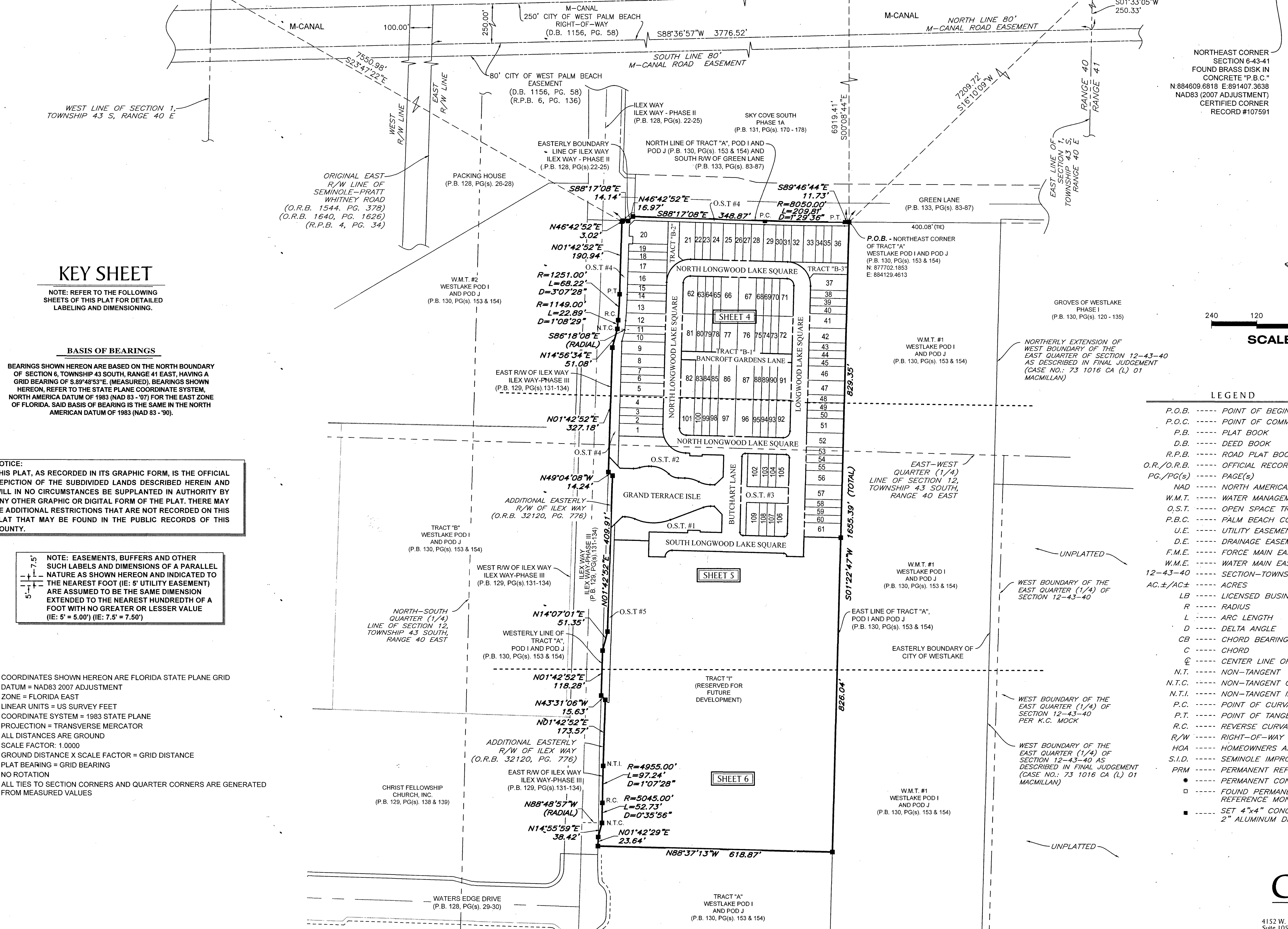
145

NORTHWEST CORNER OF SECTION 1, TOWNSHIP 43 S., RANGE 40 E. FOUND BRASS DISK IN CONCRETE "P.B.C." N: 884612.3300 - E: 880484.6585 NAD83 (2007 ADJUSTMENT) CERTIFIED CORNER RECORD #107585

P.O.C. NORTHEAST CORNER OF SECTION 1, TOWNSHIP 43 S., RANGE 40 E. SET 3.5" IRON PIPE "PUBLIC LAND SURVEY CORNER-TALLAHASSEE MERIDIAN" BRASS DISK "10' EAST" SET IN CONCRETE / FOUND 10' EAST ON SECTION LINE N: 884626.7147 - E: 886137.1629 NAD83 (2007 ADJUSTMENT) / CERTIFIED CORNER RECORD #107597

SOUTH LINE OF SECTION 31, TOWNSHIP 42 S., RANGE 41 E.

BASIS OF BEARING NORTH BOUNDARY OF SECTION 6, TOWNSHIP 43 S., RANGE 41 E. S.89°48'53"E, 5270.23' (MEASURED) S.89°48'52"E, 5270.39' (COUNTY)



KEY SHEET

NOTE: REFER TO THE FOLLOWING SHEETS OF THIS PLAT FOR DETAILED LABELING AND DIMENSIONING.

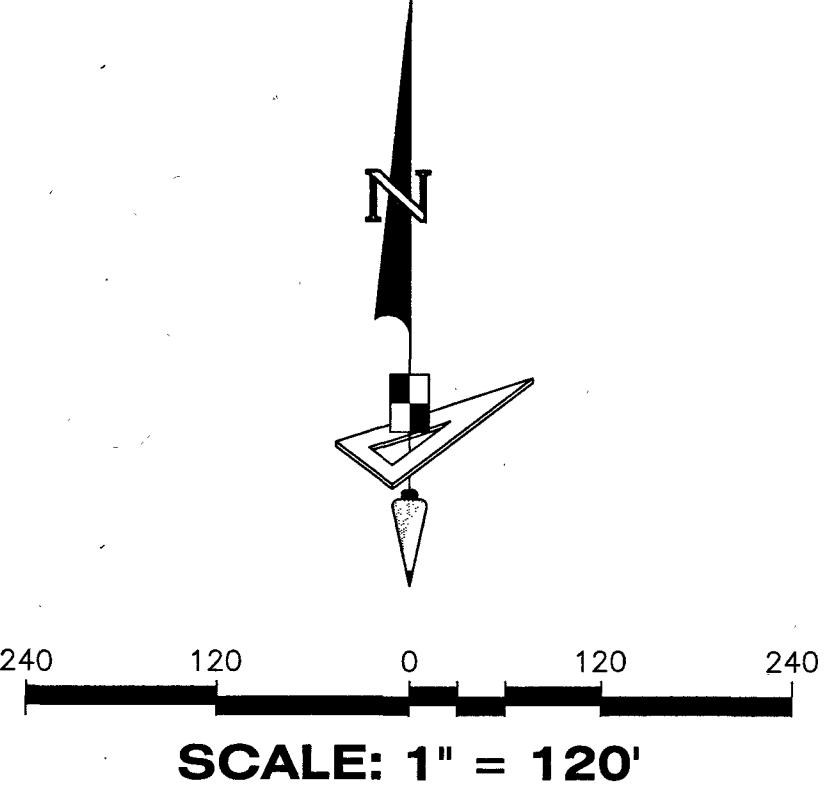
BASIS OF BEARINGS

BEARINGS SHOWN HEREON ARE BASED ON THE NORTH BOUNDARY OF SECTION 6, TOWNSHIP 43 SOUTH, RANGE 41 EAST, HAVING A GRID BEARING OF S.89°48'53"E. (MEASURED). BEARINGS SHOWN HEREON, REFER TO THE STATE PLANE COORDINATE SYSTEM, NORTH AMERICA DATUM OF 1983 (NAD 83 - '07) FOR THE EAST ZONE OF FLORIDA. SAID BASIS OF BEARING IS THE SAME IN THE NORTH AMERICAN DATUM OF 1983 (NAD 83 - '90).

NOTICE: THIS PLAT, AS RECORDED IN ITS GRAPHIC FORM, IS THE OFFICIAL DEPICTION OF THE SUBDIVIDED LANDS DESCRIBED HEREIN AND WILL IN NO CIRCUMSTANCES BE SUPPLANTED IN AUTHORITY BY ANY OTHER GRAPHIC OR DIGITAL FORM OF THE PLAT. THERE MAY BE ADDITIONAL RESTRICTIONS THAT ARE NOT RECORDED ON THIS PLAT THAT MAY BE FOUND IN THE PUBLIC RECORDS OF THIS COUNTY.

NOTE: EASEMENTS, BUFFERS AND OTHER SUCH LABELS AND DIMENSIONS OF A PARALLEL NATURE AS SHOWN HEREON AND INDICATED TO THE NEAREST FOOT (IE: 5' UTILITY EASEMENT) ARE ASSUMED TO BE THE SAME DIMENSION EXTENDED TO THE NEAREST HUNDRETH OF A FOOT WITH NO GREATER OR LESSER VALUE (IE: 5' = 5.00') (IE: 7.5' = 7.50')

COORDINATES SHOWN HEREON ARE FLORIDA STATE PLANE GRID DATUM = NAD83 2007 ADJUSTMENT ZONE = FLORIDA EAST LINEAR UNITS = US SURVEY FEET COORDINATE SYSTEM = 1983 STATE PLANE PROJECTION = TRANSVERSE MERCATOR ALL DISTANCES ARE GROUND SCALE FACTOR: 1.0000 GROUND DISTANCE X SCALE FACTOR = GRID DISTANCE PLAT BEARING = GRID BEARING NO ROTATION ALL TIES TO SECTION CORNERS AND QUARTER CORNERS ARE GENERATED FROM MEASURED VALUES



- ### LEGEND
- P.O.B. ----- POINT OF BEGINNING
 - P.O.C. ----- POINT OF COMMENCEMENT
 - P.B. ----- PLAT BOOK
 - D.B. ----- DEED BOOK
 - R.P.B. ----- ROAD PLAT BOOK
 - O.R./O.R.B. ----- OFFICIAL RECORDS BOOK
 - PG./PG(s) ----- PAGE(S)
 - NAD ----- NORTH AMERICAN DATUM
 - W.M.T. ----- WATER MANAGEMENT TRACT
 - O.S.T. ----- OPEN SPACE TRACT
 - P.B.C. ----- PALM BEACH COUNTY
 - U.E. ----- UTILITY EASEMENT
 - D.E. ----- DRAINAGE EASEMENT
 - F.M.E. ----- FORCE MAIN EASEMENT
 - W.M.E. ----- WATER MAIN EASEMENT
 - 12-43-40 ----- SECTION-TOWNSHIP-RANGE
 - AC.±/AC± ----- ACRES
 - LB ----- LICENSED BUSINESS
 - R ----- RADIUS
 - L ----- ARC LENGTH
 - Δ ----- DELTA ANGLE
 - CB ----- CHORD BEARING
 - C ----- CHORD
 - Ⓢ ----- CENTER LINE OF ROAD
 - N.T. ----- NON-TANGENT
 - N.T.C. ----- NON-TANGENT CURVATURE
 - N.T.I. ----- NON-TANGENT INTERSECTION
 - P.C. ----- POINT OF CURVATURE
 - P.T. ----- POINT OF TANGENCY
 - R.C. ----- REVERSE CURVATURE
 - R/W ----- RIGHT-OF-WAY
 - HOA ----- HOMEOWNERS ASSOCIATION
 - S.I.D. ----- SEMINOLE IMPROVEMENT DISTRICT
 - PRM ----- PERMANENT REFERENCE MONUMENT
 - ----- PERMANENT CONTROL POINT
 - ----- FOUND PERMANENT REFERENCE MONUMENT
 - ----- SET 4"x4" CONCRETE MONUMENT WITH 2" ALUMINUM DISK STAMPED "PRM LB 7768"



4152 W. Blue Heron Blvd. Phone: (561) 444-2720
Suite 105 www.geopointsurvey.com
Riviera Beach, FL 33404 Licensed Business Number LB 7768